

# AP2 V2 Series

## Outdoor Type Intelligence PTZ Camera



### MAIN FEATURES

Weatherproof design with aluminium die-cast casing

360° continuously Pan

OSD menu function

Pan angle limit setting

128 presets, 6 programmable pattern tracks

2-alarm input, 2-alarm output (selection)

Built-in surge/lightning protector

IP66/67 protection

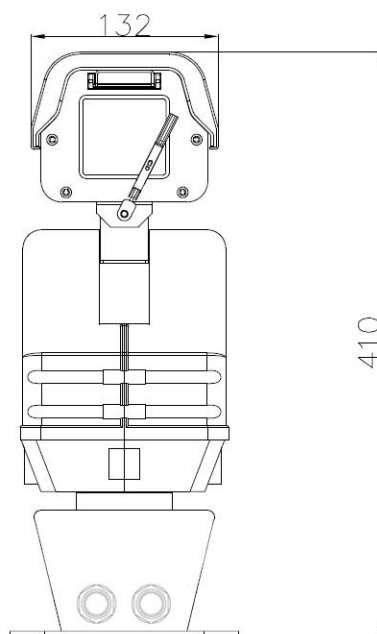


AP2 V2

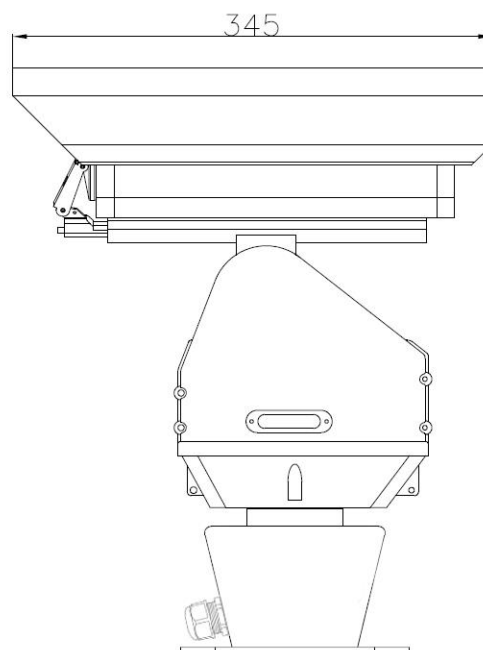
AP2 V2 series Outdoor Type Intelligence PTZ Camera is a heavy-duty all-in-one high-tech monitoring product, which integrates universal gear change pan & tilt, multi-function telemetry receiver and alarm function. This PTZ camera is very easy to install and maintain with many features like perfect shape, responsive and simple operation.

It is a high compatibility product consists of built-in telemetry receiver with multi-protocol. The horizontal rotation is continuous and during low speed circulating, it is very stable and low noise. When the system identifies the alarm signal, the pan & tilt and camera will response immediately to report the picture of alarm district to main monitor.

AP2 V2 can be integrated with most type of zoom camera module, block camera, and zoom lens, for easier selection and application to suit various operating environment. It is designed for rough outdoor environment operation, with built-in sunshield to reduce the temperature caused by direct sunlight. The built-in wiper mechanism may reduce the effect of dusts, rain drops and condensates on the camera sight glass, for improved video quality.



Front Dimensions



Side Dimensions

# AP2 V2 Series

## Outdoor Type Intelligence PTZ Camera



### TECHNICAL DATA

#### GENERAL

Ingress Protection IP66/67

Operating Temperature -35°C to 55°C

Relative Humidity 90%

#### MECHANICAL

Die-cast aluminum material

Built-in wiper mechanism at sight glass

Built-in thermostatically controlled heater

Overall dimension (WxHxD): 132×410×345mm

9kg weight (without camera module)

Pan Speed 0.1° ~ 40°/s

Tilt Speed 0.1° ~ 20°/s

Preset Pan Speed 100°/s

Preset Tilt Speed 30°/s

Pan range 360° continuously

Tilt range -70° ~ +33°

#### ELECTRICAL

Operating Voltage : AC24V 50/60Hz

Power consumption 60VA

Built-in surge/lightning protector

#### TELEMETRY RECEIVER

RS485 or RS422 connection

Pelco D and Pelco P. Other protocols based on request.

6 programmable pattern tracks

Pan angle limit setting

OSD menu function

2-alarm input, 2-alarm output (selection)

128 preset (max)

#### STANDARD FITTED

Sunshield

#### OPTIONAL ACCESSORIES

WBAP2V2, wall mount bracket